

BDL lever type screen changers



THE ESSENTIAL CHOICE, FOR SMALL AND MEDIUM SIZE EXTRUSION LINES.

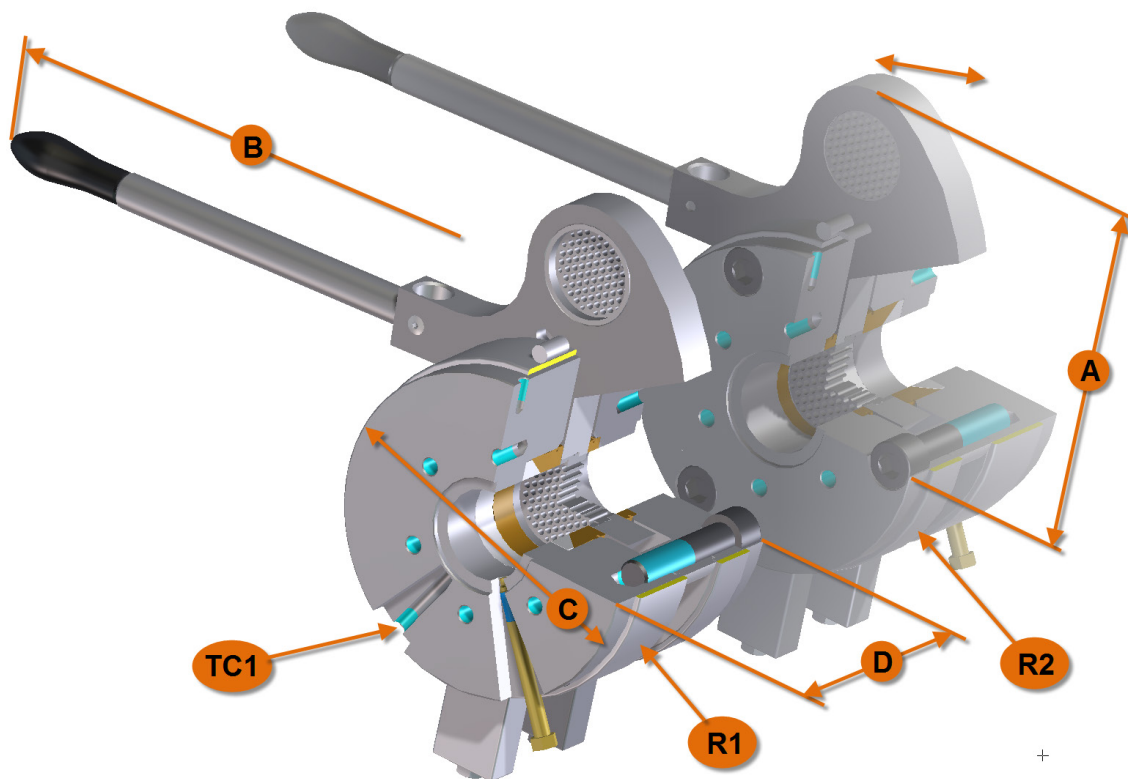
Simple and reliable, the manual BDL screen changers offer the opportunity to improve performance, at minimal cost especially on small and medium size extrusion and coextrusion lines.

Available with filtering areas from Ø 20 to Ø 120 mm, units are equipped with a self activating sealing system that allows a safe and leakproof use, up to 800 bar working pressure. The actuation lever, manoeuvrable on three sides ensures a quick movement of the sliding plate.

Suitable for the production of:

- Blown or Cast films
- Flat sheet
- Pipes and profiles
- Cable coating
- Masterbatch and compound pelletizing
- Blow and injection moulding





BDL main dimensions													
FILTERING MASS	Flow dimensions			SCREEN DIMENSIONS			Overall dimensions					Heating Power	FILTERING MASS
	Flow	S/C Free Area	S/C Nominal Area	SCREEN ϕ [mm]	SCR. Housing ϕ [mm]	SCR. Housing DEPTH [mm]	A [mm]	B [mm]	ϕ C [mm]	D [mm]	Weight		
ϕ [mm]	[kg/h]										kg		ϕ [mm]
20	3-7	1,3 cm ²	3 cm ²	21	22	2	101	246,5	ϕ 115	136	12	W800	20
30	10-25	3,6 cm ²	7 cm ²	31	32	2	76	369,5	ϕ 180	141	30	W1400	30
35	25-45	4,7 cm ²	10 cm ²	36	37	2	76	369,5	ϕ 180	141	30	W1400	35
45	30-80	7,5 cm ²	16 cm ²	46	47	2	225	525	ϕ 245	184	60	W2100	45
50	35-85	9,9 cm ²	20 cm ²	51	52	2	225	525	ϕ 245	184	60	W2100	50
60	60-150	13,8 cm ²	28 cm ²	62	63	2	225	525	ϕ 245	184	60	W2100	60
65	70-175	16,4 cm ²	33 cm ²	67	68	2	225	525	ϕ 245	184	60	W2100	65
75	80-200	22 cm ²	44 cm ²	77	78	2	260	527	ϕ 270	199	80	W2650	75
80	110-290	28 cm ²	57 cm ²	83	84	2	260	527	ϕ 270	199	80	W2650	80
90	120-300	30 cm ²	64 cm ²	93	94	2	304	639	ϕ 320	228	120	W3900	90
100	140-350	37 cm ²	79 cm ²	103	104	3	304	639	ϕ 320	228	120	W3900	100
120	200-500	54 cm ²	113 cm ²	123	124	4	365	646	ϕ 380	230	200	W4600	120

TC1 Thermocouples